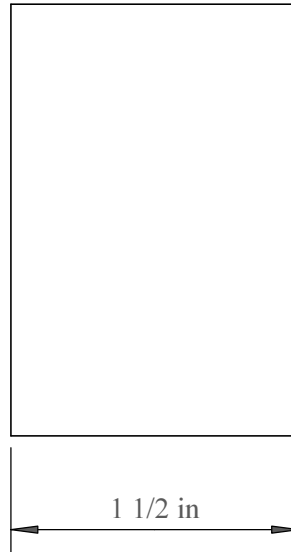
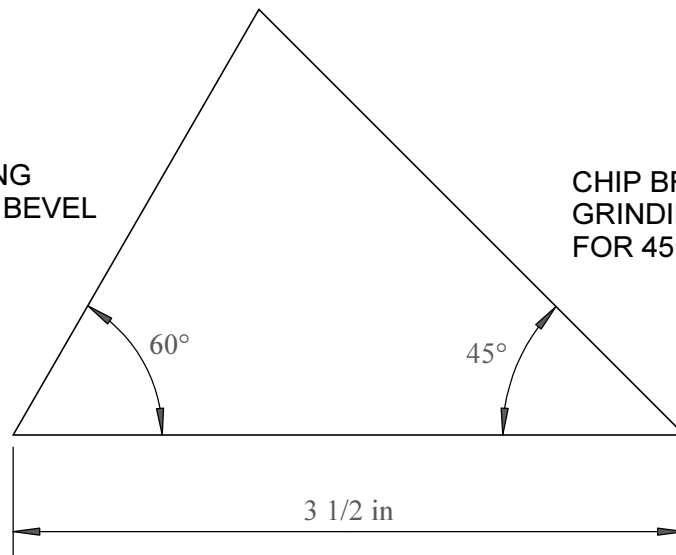


IRON GRINDING
SIDE FOR 30° BEVEL

CHIP BREAKER
GRINDING SIDE
FOR 45° BEVEL



WIDTH OF IRON AND CHIP BREAKER

PLANE IRON AND CHIP BREAKER GRINDING JIG